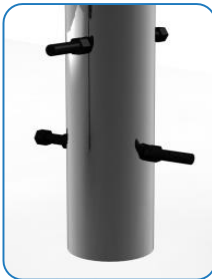
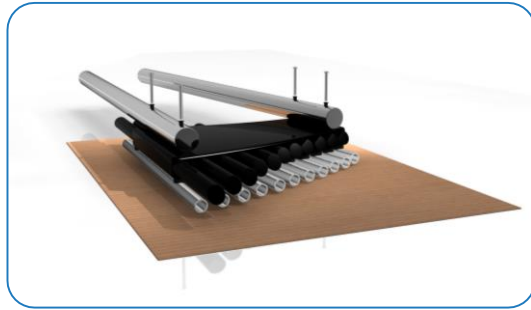


Installation Instructions

Ground Fixed

Cherub
Page 1 of 3



Weight of heaviest part 15kg

1. Carefully lay 2 x legs on a level surface and insert M10x200 bar and nuts. Using packing box as protection lay instrument note side down on the card. Line up pre drilled holes in the backboard with the legs and ensure the instrument is aligned square with the legs. Fix in place using M8x120mm studs and barrel nuts supplied (see installation guide)

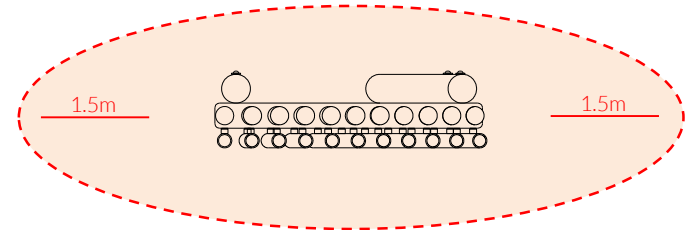
2. (See ground fix sheet) Excavate a hole on site of installation minimum 500mm deep (adjust depth according to age range for intended players)

3. Carefully raise the instrument from the ground with legs attached and locate (lower) legs into hole on 5 degree angle making sure they are vertical and level prior to concreting in place.

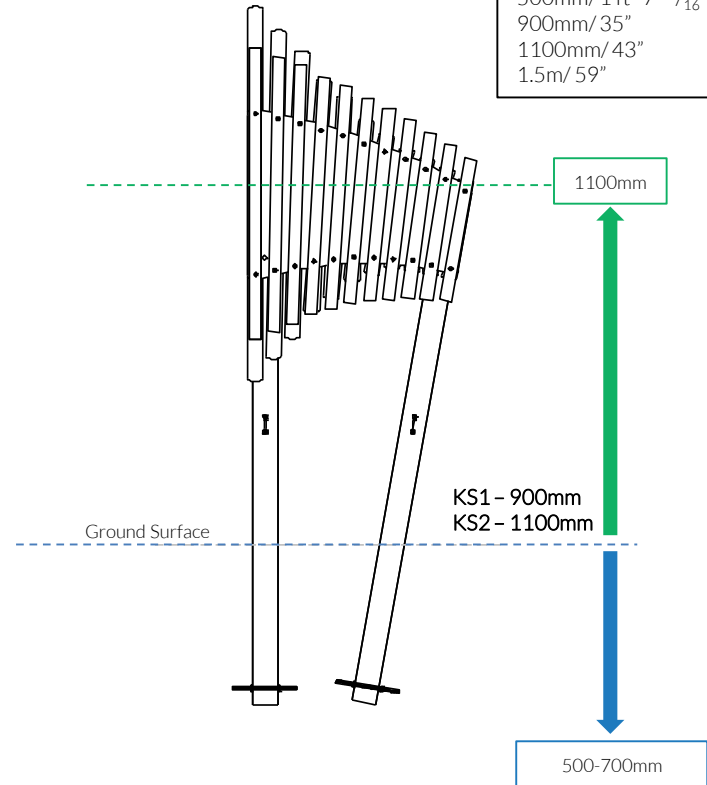
4. Once happy with location and levels, fill holes using rapid hardening concrete. Be sure to compact concrete around legs and leave to dry according to manufactures guidelines

5. Beaters can be fixed to Stainless Steel posts with fixings provided

Install Instrument with 1.5m free space (from widest point) around it.



Metric Conversion:
500mm/ 1ft 7¹¹/₁₆"
900mm/ 35"
1100mm/ 43"
1.5m/ 59"



Components:



-  x4
-  x2
-  x4
-  x4
-  x4

Thread Lock Solution Required (Not Supplied)



Pair Small Beaters X1

Ground Fix Components:

-  x4
-  x8


Spares available from www.musical-play.com or from your local distributor


22 Kg

Assembly Guide PPSWAV



Tools:

 x1

 x1

TX 45 Driver Bit TX 30 Driver Bit

Ground Fixed

Cherub
Page 2 of 3

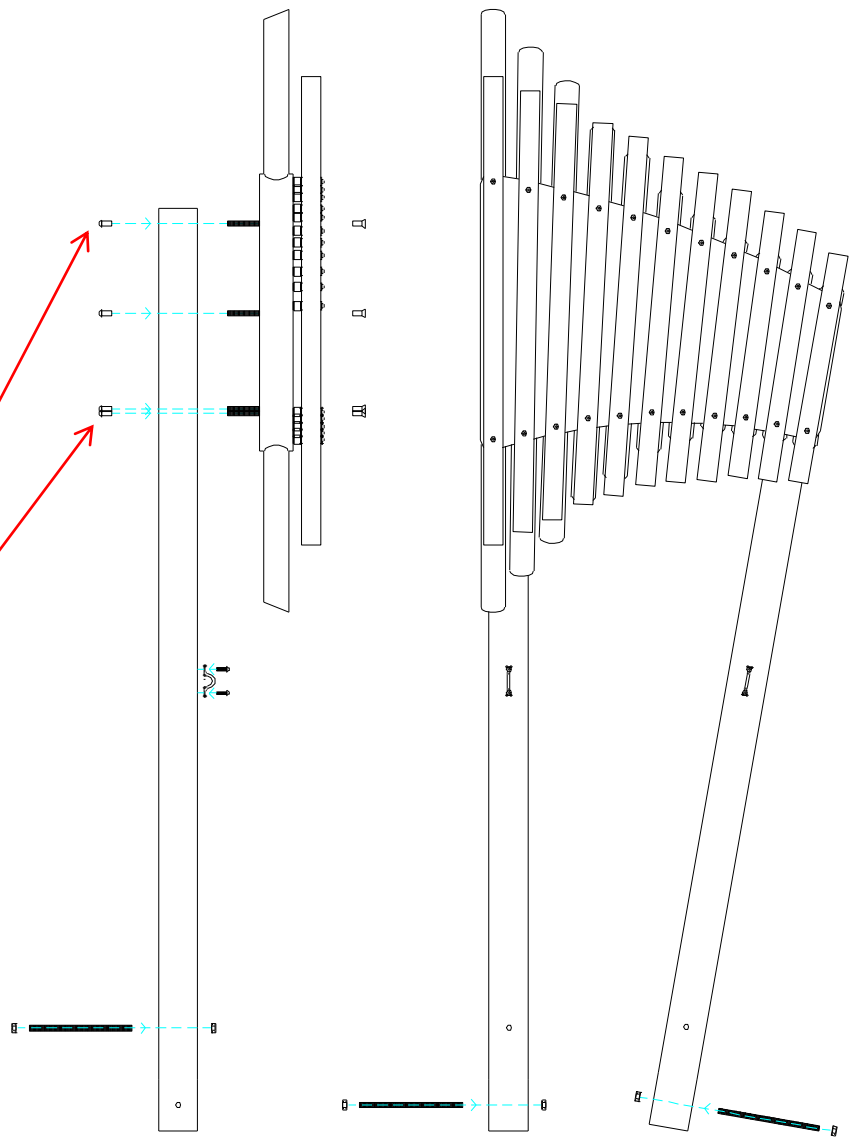


Components:




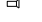



-  x4
- M8x120 Threaded Bar
-  x2
- Eye Straps
-  x4
- M6x20mm Secure Screw
-  x4
- M8 Barrel Nut
-  x4
- M8 CSK Barrel Nut


Thread Lock Solution
Required (Not Supplied)

Thread Lock Solution
Required (Not Supplied)





COMPONENTS LIST:

-  Saddle Strap X2
-  M6x20 Pin torx X4
-  M8 Barrel Nut Pin torx X4
-  M8 CSK Barrel Nut Pin torx X4
-  M8 x120 Stud X4
-  M10 Nut X8
-  M10x200 Threaded Bar X4

 Pair Small Beaters X1

Ground Fix Components:

-  x4
- M10x200 Threaded Bar
-  x8
- M10 Nut

Spares available from
www.musical-play.com or
from your local distributor

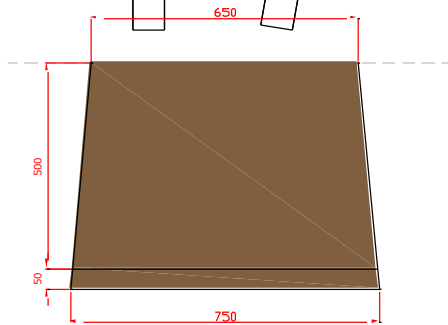
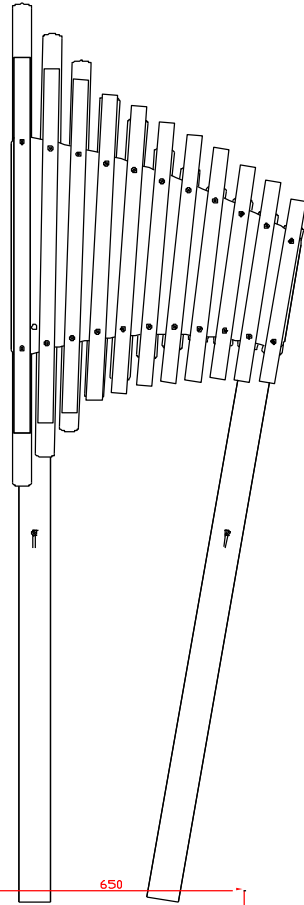
22 Kg

Ground Fix Installation

Foundations should not present a hazard. These foundations are recommended as a guide, for more information on foundation details for various surface see Part 1 of BS EN 1176.

Ground Fixed

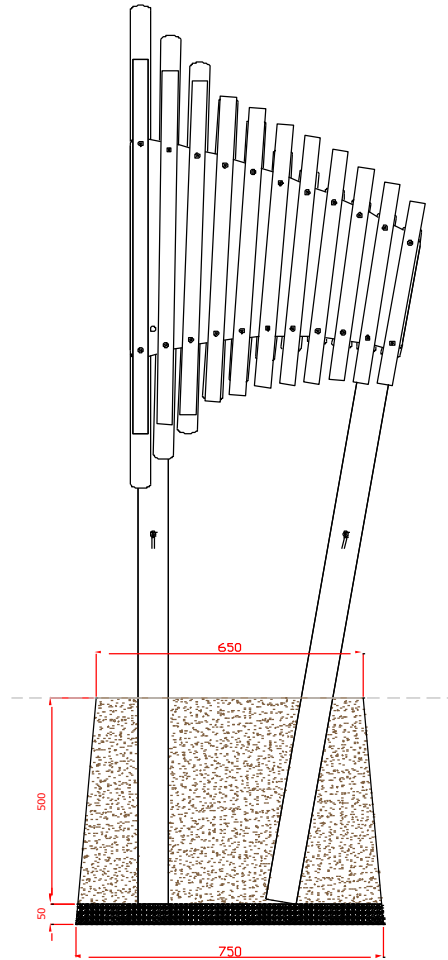
Cherub
Page 3 of 3



1

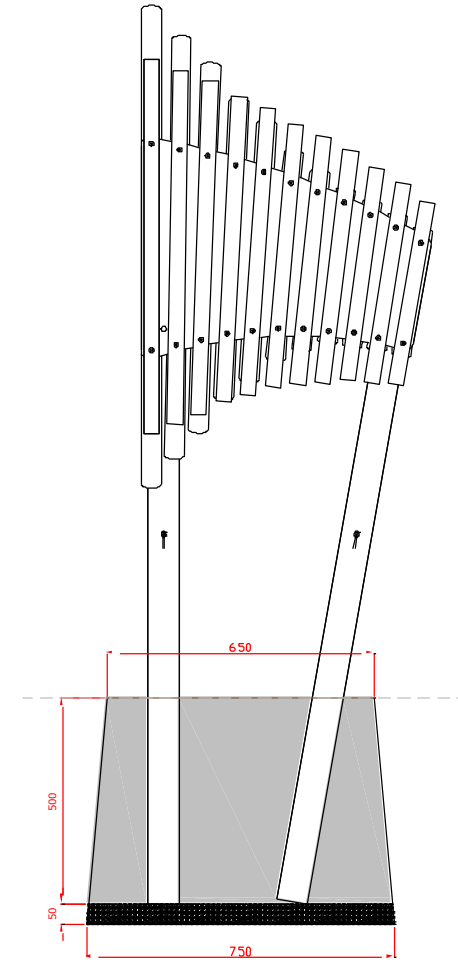
Excavate a hole with a 250x650mm tapering down to 350x750mm diameter and 550mm depth

500mm min depth - Max depth 700mm



2

Compact base of hole with 50mm of aggregate. Lower ground fix posts attached to instrument into hole (check instrument straight and level, and at correct height before filling with concrete)



3

Fill hole with fast drying concrete to manufacturers specifications. If posts protrude above instrument they can be cut down

Components:



M10x200mm
BZP Bar
X4



M10 BZP Nut
X8

Metric Conversion:

50mm/ 2"
250mm/ 10"
350mm/ 14"
500mm/ 1 ft 7 11/16"
550mm/ 21 21/32"