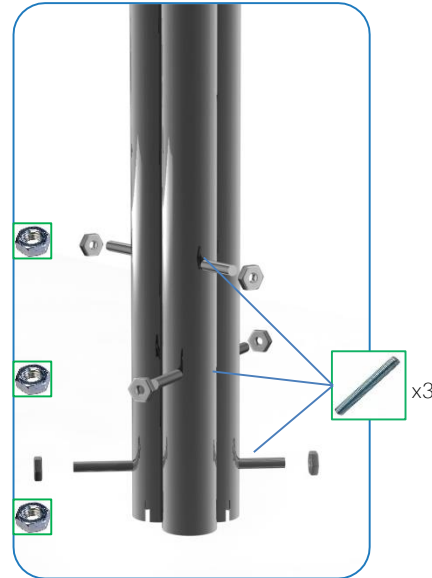
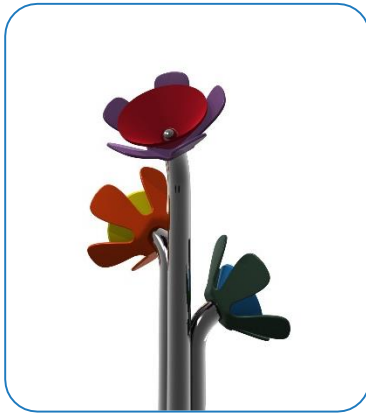


Installation Instructions

Ground Fixed

Harmony Flowers
Page 1 of 3



Weight of heaviest part **5Kg** (Large Flower)

Instrument
Components:

Metric Conversion:
400mm/ 16"
1100mm/ 43"
1.5m/ 59"

1. Unpack ground fixing legs
3no.

2. Lay packaging out on floor
or assemble on non-abrasive
surface to prevent marking of
polished stainless steel.

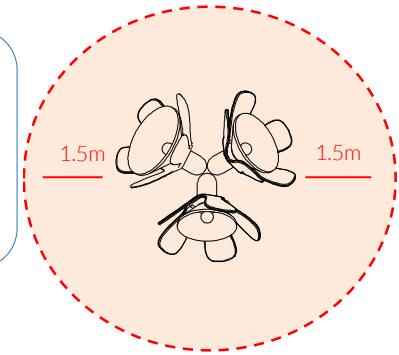
3. Align holes on legs
(opposite end to polished
domes) and secure in place
using 3no. M10 x 200mm
threaded bar and 6no. M10
nuts provided
Tools required 2no. 17mm
metric spanner/wrench ($1\frac{11}{16}$
inch or alternatively using
adjustable wrench)

4. Invert assembled frame so
flowers are at the top.

5. Excavate a hole for the
frame **250mm diameter** by
450 deep in desired location
upon decision from customer.
(See Ground Fix Post
Installation)

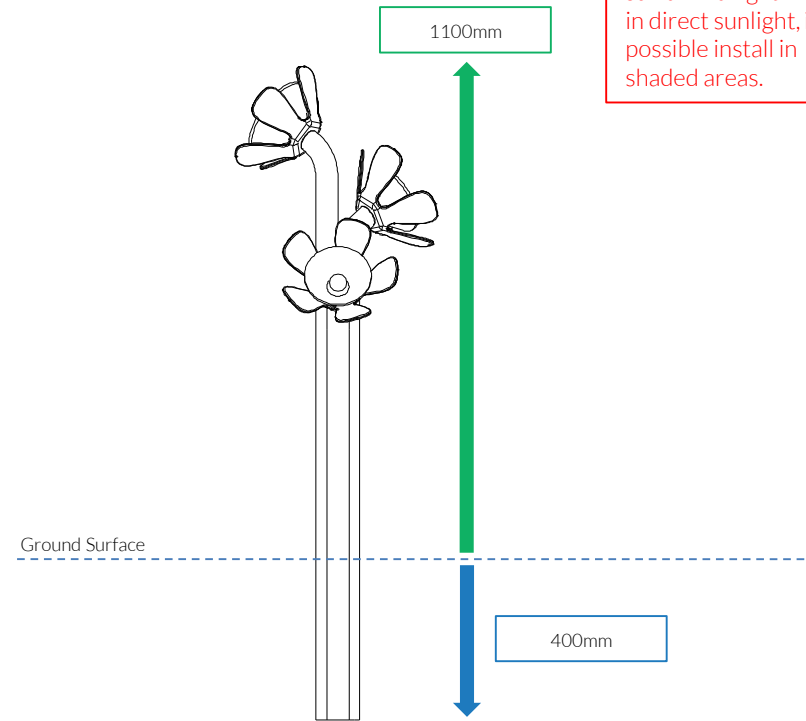
6. Locate (lower) frame into
hole making sure that the
flowers are level and upright.

5. Once happy with location
of the Flowers, **fill hole** using
rapid hardening **concrete**. Be
sure to compact concrete
around legs and leave to dry
according to manufactures
guidelines.



Install
Instrument
with 1.5m free
space (from
widest point)
around it.

CAUTION: Frame
surface can get hot
in direct sunlight, if
possible install in
shaded areas.

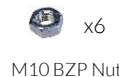


Small
Beaters X3

Ground Fix
Components:



x3
M10x200 Threaded bar



x6
M10BZP Nut

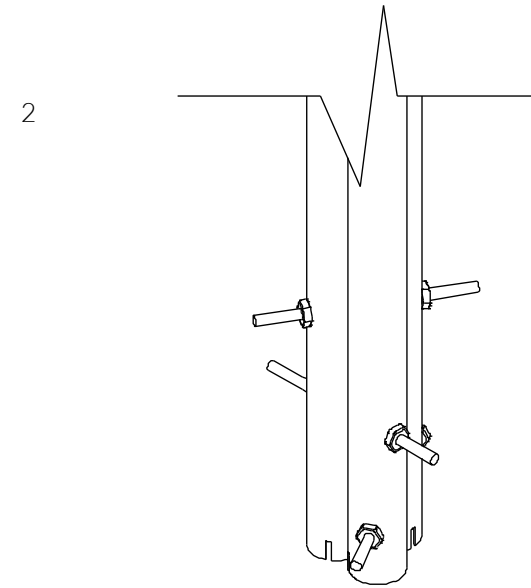
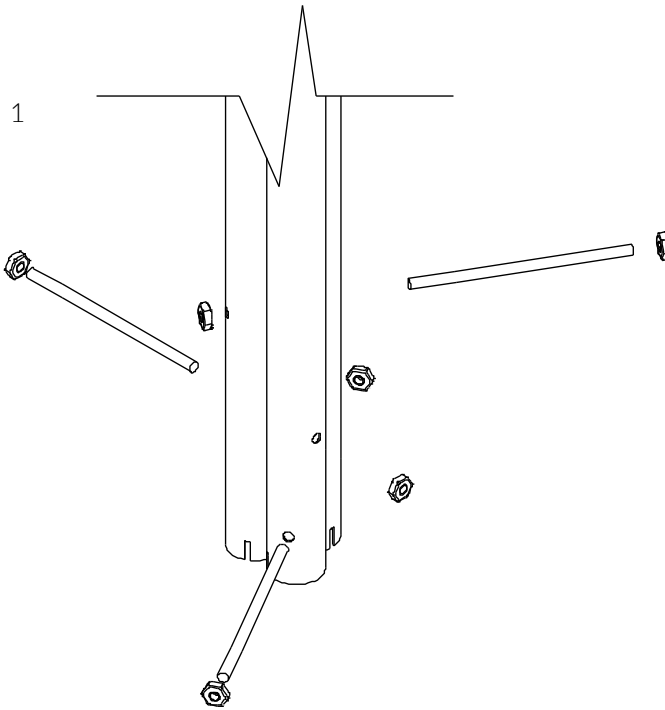
Spares available from
www.musical-play.com or
from your local distributor

15 Kg

Ground Fixed Harmony Flowers Page 2 of 3



Instrument
Components:



Small
Beaters X3

Ground Fix
Components:

 x3
M10x200 Threaded bar

 x6
M10BZP Nut

Spares available from
www.musical-play.com or
from your local distributor

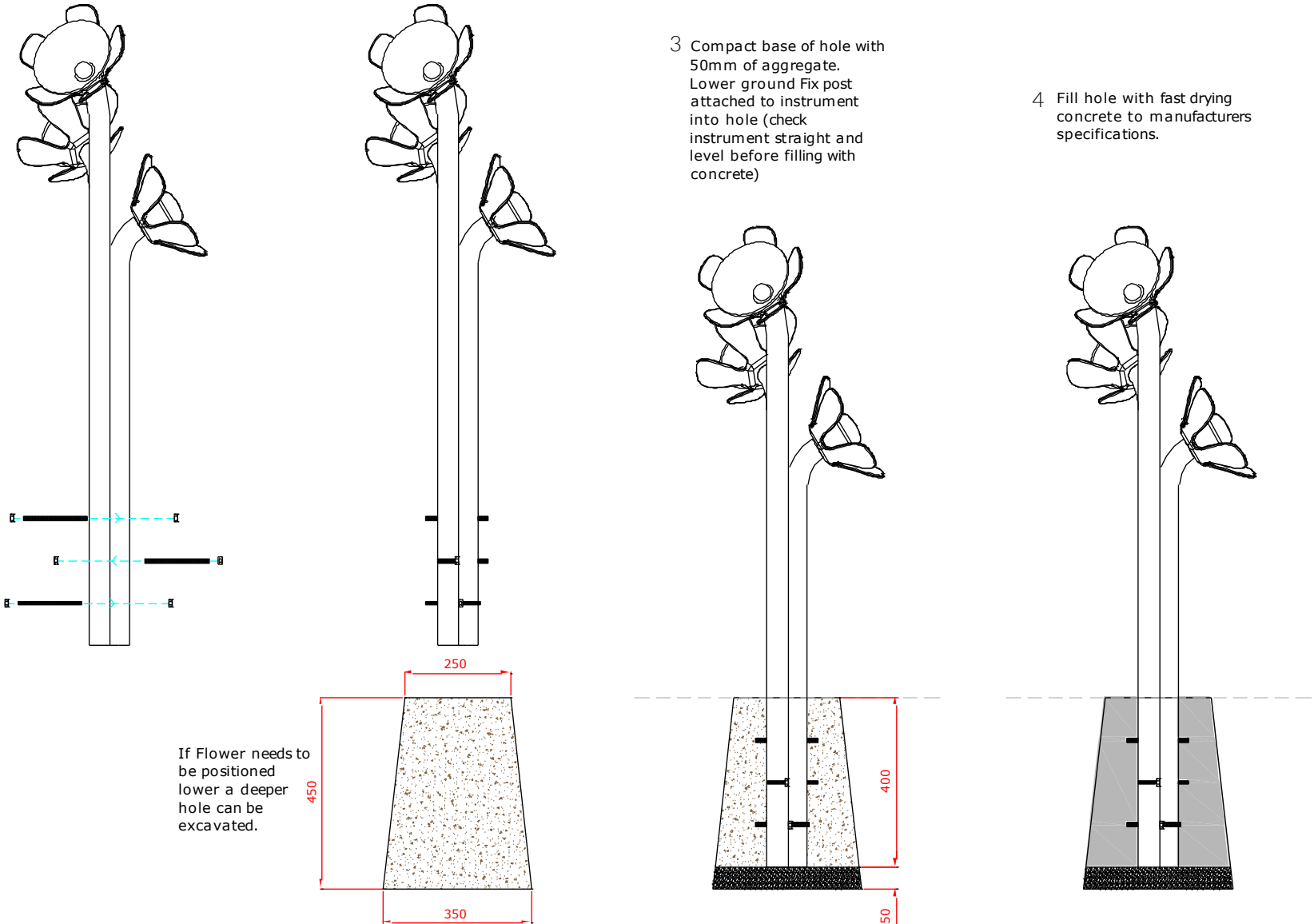
15 Kg

Ground Fix Installation

- 1 Insert M10x 200 Threaded bar into pre drilled holes in Frame of Flowers using M10 BZP Nuts
- 2 Excavate a holes with a 250mm diameter tapering down to 350mm diameter and 450mm depth

Foundations should not present a hazard. These foundations are recommended as a guide, for more information on foundation details for various surface see Part 1 of BS EN 1176.

- 3 Compact base of hole with 50mm of aggregate. Lower ground Fix post attached to instrument straight and level before filling with concrete
- 4 Fill hole with fast drying concrete to manufacturers specifications.



If Flower needs to be positioned lower a deeper hole can be excavated.

Ground Fixed

Harmony Flowers
Page 3 of 3



Components:

-  x3
- M10x200 Threaded Bar
-  x6
- M10 BZP Nut

Metric Conversion:
50mm/ 2"
250mm/ 10"
350mm/ 14"
400mm/ 16"
450mm/ 18"